

Waydoo Flyer

Quick start manual

V1.1

Waydoo



深圳市苇渡智能科技有限公司

Shenzhen Waydoo Intelligence Technology Co., Ltd.

Website: www.waydoo.io

E-mail: info@waydoo.io

Contact: +86 (0) 755 26910930/26910940

Factory: Shenzhen - china





WARNINGS

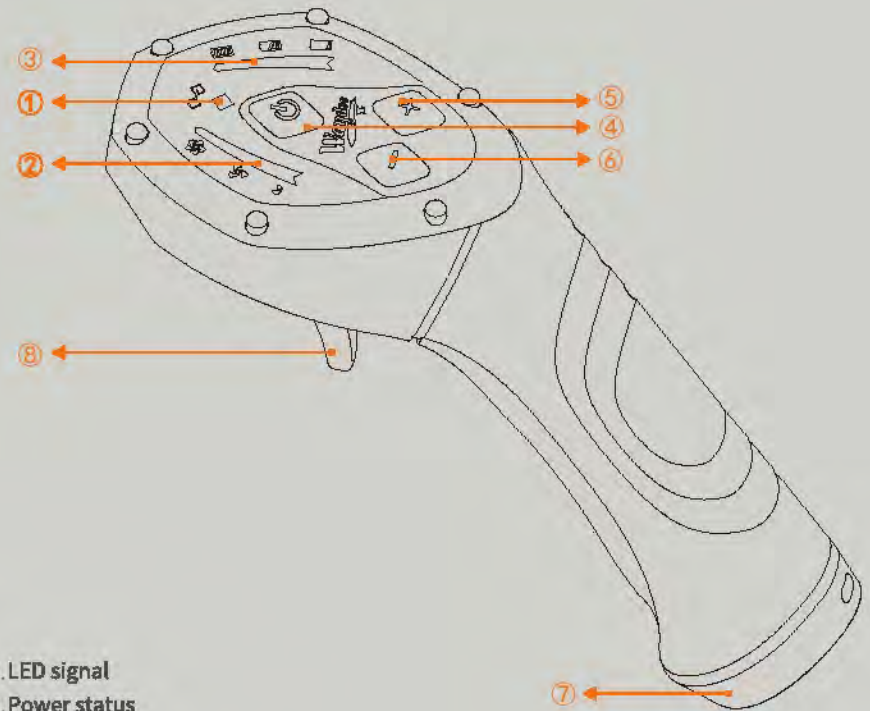
Please carefully read the manual to get started. The product is designed to be easily controlled and safely used, but it also needs your caution. Any type of abuse beyond design limit may cause product damage or human injury. For more information, please check; www.waydoo.io



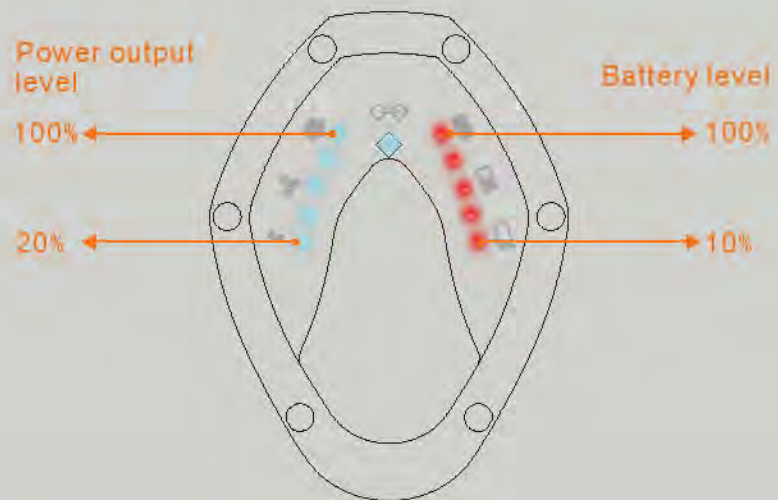
Components

1. Remote control

The remote control is used to adjust the throttle output and indicate the main battery level via Bluetooth. Offering a total of 5 output level selection and a intuitive battery display. Anyone can get the hang of it effortlessly.



- ① LED signal
- ② Power status
- ③ Battery level
- ④ Power on/off button
- ⑤ Power up button
- ⑥ Power down button
- ⑦ Battery cap
- ⑧ Trigger



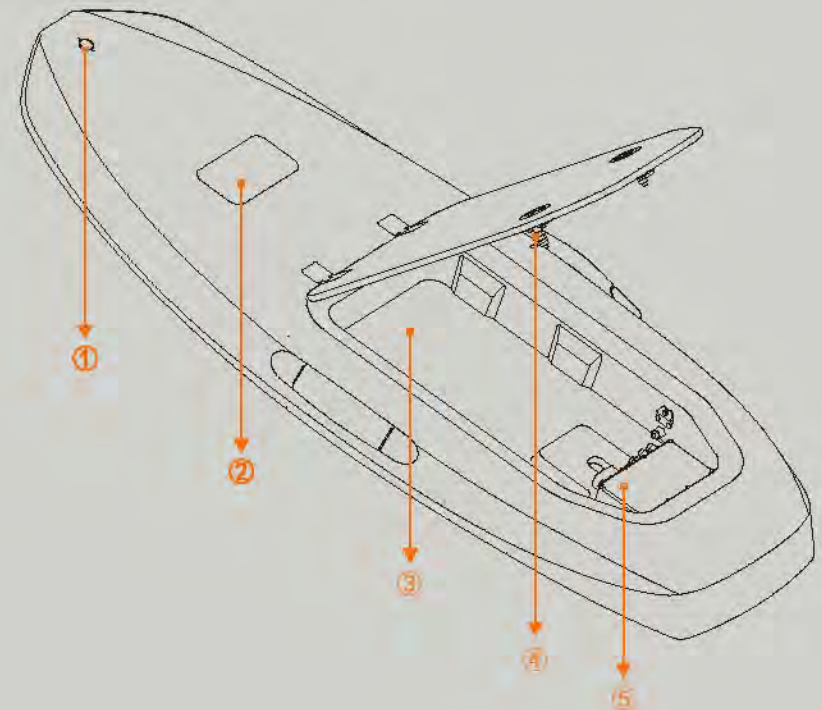
LED status description

LED signal	Status
Blue	Paired and Working
Blinking Blue	Not paired to the board
Blinking Red	Low battery (please charge)
Blinking Blue and Red alternately	Not paired to the board and low battery warning
Blinking Green	Critical error. Please reboot the controller. If the LEDs still blinking green, contact your seller

2. Main board

Streamlined and front edge design ensures optimal performance. The board is made out of quality carbon fiber composite material and partially Kevlar for reinforcement, and built-in moulded foam core to enhance resistance.

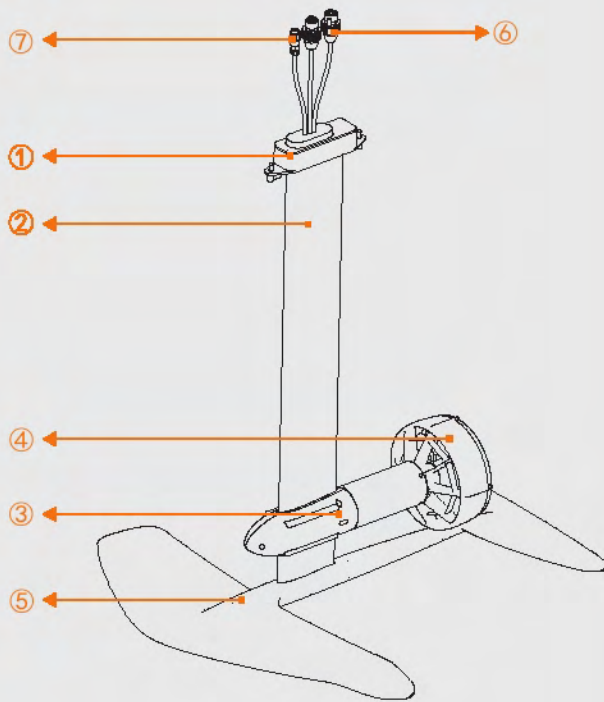
- ①. Camera mount port
- ②. Bluetooth antenna
- ③. Battery compartment hatch
- ④. Latch
- ⑤. Control unit box



3. Propulsion system & wings

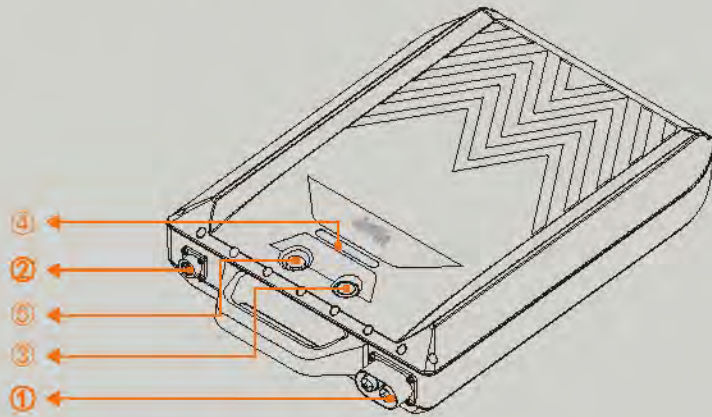
Simple quick-release design guarantees easy assembling. The electronic speed controller (ESC) is waterproof and fully sealed, thus no extra cooling required.

- ① Quick-release mount base
- ② Main strut
- ③ Motor & ESC
- ④ Propulsion component
- ⑤ Wings
- ⑥ ESC power cables
- ⑦ ESC signal cable

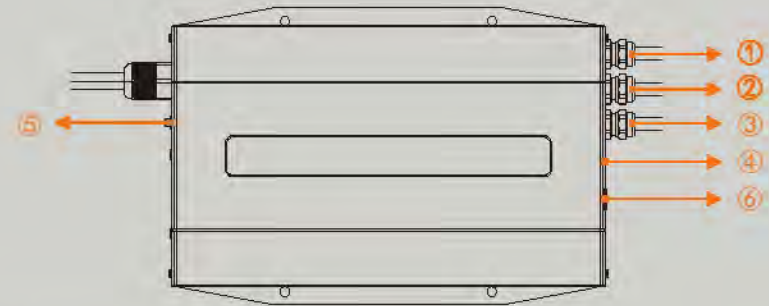
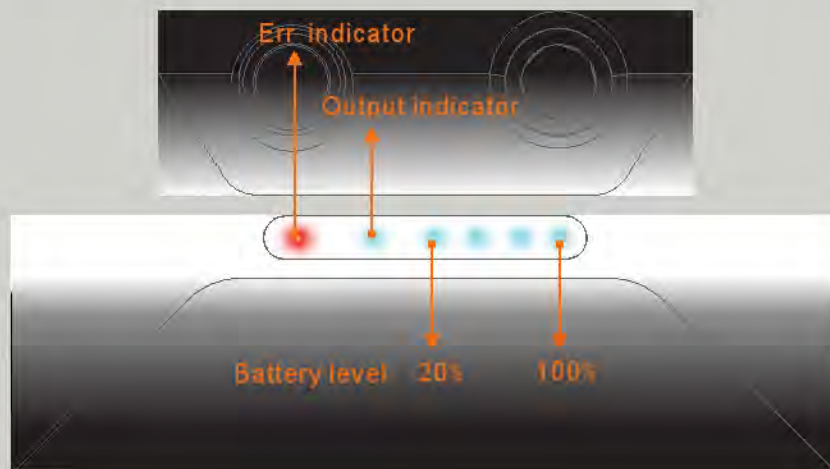


4. Battery & charger

High energy density and auto-grade Li-ion battery can ensure your ride up to 1 hour 15 minutes, Built-in AI system keeping track of the battery status will relieve users' burden and let them feel free and safe to enjoy the ride.



- ①. Power port ②. Sensor port ③. Power on/off button
- ④. Battery status ⑤. Pressure release valve



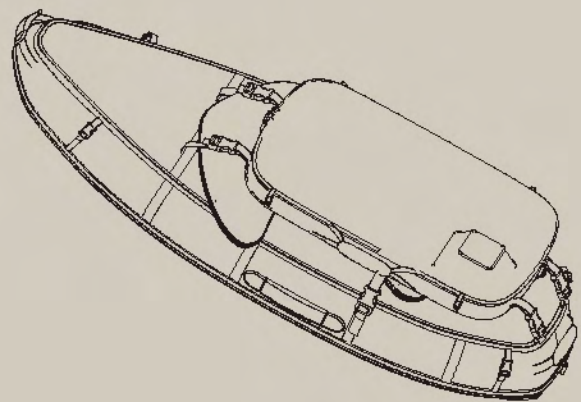
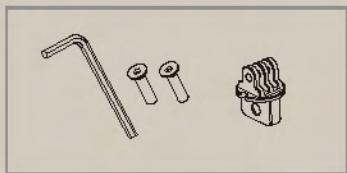
- ①. Sensor cable ② ③. Main power cable
- ④. Charger status ⑤. Charge button ⑥. AC on/off switch

Charger status description

LEDs	Status
● Green	Ready for charge
● Red	Being charged
● Red to Green	Fully charged
● Blinking Red	Charging error: overvoltage, short-circuit, polarity reverse, supercurrent might occur

5. Travel pack and toolkit

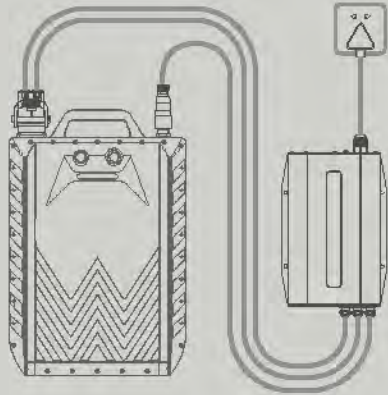
- ①. Board & wing bag
- ②. Strut & charger bag
- ③. 4mm hex key
- ④. 2* M6 screws
- ⑤. Camera mount base



How to set up

1. Charge battery

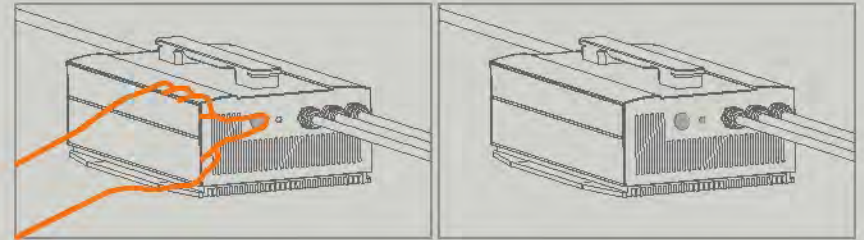
*Attention; Fully charge the main battery when first use and use the provided charger only;



- ①. Plug in the charger via the input cable. Green LED light means it's ready for charge.
- ②. Connect the sensor cable – plug in to connect and rotate and unplug to disconnect.



- ③. Connect the main power cable – make sure the lever handle is in upright position beforehand. Plug in the main power connector. Press down the handle. Put the orange color locking pin to its locking position.

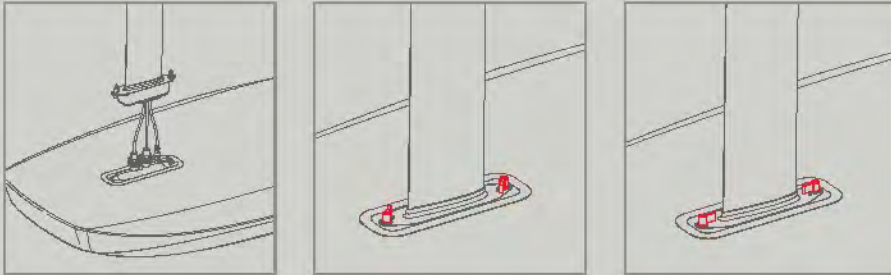


- ④. Press the button again to initiate charging. It usually takes approximately 2 hours to fully charge the battery.

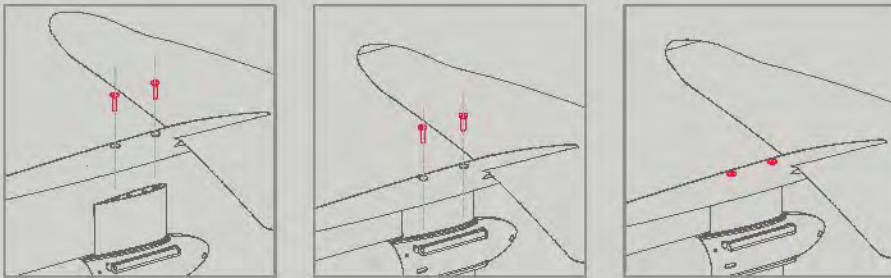


- ⑤. The remote control is powered by 3 AAA batteries. The AAA batteries don't come with the package and need to be bought separately. Unscrew the rear cap and pull out the AAA battery adapter. Install 3 AAA batteries onto the adapter in right order. Put back the adapter and screw the rear cap.

2.Assemble strut and wings



- ① Turn the board upside down. Hold the strut upright and connect the cables.
- ② Properly align the strut to the mount base and tighten the thumb screws. Make sure the cabal seals fit the base opening.



- ③ Place the wing on the strut, and tighten two M8 screws clockwise with the L-shape hex key.
- ④ Turn over the board and move to the next step.

3.Install battery



- ① Open the hatch by lifting and rotating the latch.



- ② Place the battery in the compartment and make sure it fits firmly.



- ③ Connect the two ESC's power cables to the control unit box.
- ④ Connect the ESC's signal cable to the control unit box.



- ⑤ Connect the sensor cable to the control unit box.
- ⑥ Connect the main power cable to the control unit box.

4. Turn on the power



- ①. Press power button to turn it on (press and hold the button to turn off). A BEEP sounds it's on and ready to work.



- ②. Press the power button on the remote control to turn it on. Press the "+" or "-" button to increase or decrease power level.



- ③. Close the hatch.

5. Post use and maintenance

- ①. Turn off the remote control after use.

- ②. Take the board out of water, open the hatch and switch off the battery. It's common case to get some water in the compartment as water might run into it when you open the hatch.
- ③. Disconnect the battery's power connector and the sensor connector. Remove the battery out of the compartment.
- ④. Use running water to wash the board and other components. Make sure there is no sand or dirt inside.

6. Pairing

If the LED status light on the controller keeps blinking in blue, then reconnecting controller and board is required.



- ①. Press power button on battery.
- ②. Press and hold pairing button (located under sensor cable) for more than 2 second then release the button.



- ③. Switch on remote controller, press and hold power button and "-" button simultaneously. If the LED battery level indicator lights up, the reconnection is complete.

How to ride

*Those who have experience in surfing, skateboarding and kitesurfing may find it relatively simple to use and get started with. But for beginners without any watersport experience, Waydoo Flyer will be the best entry-level surf board. Get started with the following tips and enjoy the fun adventure ahead!

- ①. Get started by lying down instead of standing on the board first to get used to the product. Gradually press the trigger to slowly increase power – beginning with low power like level 2 is recommended and do not press the trigger to the full too fast. Once the board get going, it will become more stable.
- ②. Once getting used to the interaction with the product, try to raise up and kneel on the board while keeping the throttle in a consistent pace. Try to make turns by leaning from side to side, speed up by increasing power or leaning forward.
- ③. Once getting better, try to stand up and move your feet to find out the best way to maintain good balance. Use your body by leaning forward or backward gently to accelerate or decelerate.
- ④. Don't rush to lift up at the very beginning. Instead, to use "Touch and Go" mode to feel the movement and slowly master Waydoo. But one thing should always be kept in mind is that whenever you're losing control or balance, jump right away from the board. Don't try to make correction or regain control, otherwise you may get knocked by the board, wings or working propeller.
- ⑤. To lift from water, accelerate to a certain speed and lean backward and shift your weight on your back feet then the board will gradually elevate. To stay lifted, you have to continually adjust your body weight to maintain balance and fly above water.



FCC Statement

This equipment has been tested and found to comply with the limits for a Class B digital device, pursuant to part 15 of the FCC Rules. These limits are designed to provide reasonable protection against harmful interference in a residential installation.

This equipment generates, uses and can radiate radio frequency energy and, if not installed and used in accordance with the instructions, may cause harmful interference to radio communications. However, there is no guarantee that interference will not occur in a particular installation. If this equipment does cause harmful interference to radio or television reception, which can be determined by turning the equipment off and on, the user is encouraged to try to correct the interference by one or more of the following measures:

- ①. Reorient or relocate the receiving antenna.
- ②. Increase the separation between the equipment and receiver.
- ③. Connect the equipment into an outlet on a circuit different from that to which the receiver is connected.
- ④. Consult the dealer or an experienced radio/TV technician for help.

Caution: Any changes or modifications to this device not explicitly approved by manufacturer could void your authority to operate this equipment.

This device complies with part 15 of the FCC Rules. Operation is subject to the following two conditions: (1) This device may not cause harmful interference, and (2) this device must accept any interference received, including interference that may cause undesired operation.

