

NAUTIBUOYTM

MARINE

Specialists in multi-functional inflatable platforms



Contents

Leisure	4
Maintenance	11
Maintenance Series	14
Ocean & Voyager Series	16
Jet - Ski Dock	18
Sports Series	22
Platforms & Sizes	24
Specifications	26
Accessories	27
Design	38



NautiBuoy

Designed by yachtsmen, for yachtsmen

After 4 years of research, prototyping, refining, compliance and wavepool testing, NautiBuoy proudly present their elite range of multi-functional platforms and accessories.

Available in four different sizes, the NautiBuoy Marine Platform is stable, simple to manoeuvre and easy to lift from the water. These are the essential features but we didn't stop there. From stainless steel D-rings to soft handles that don't scratch the boat or mark the deck, we've thought it all through.

One of the key features is our unique Air Toggle System, which as well as allowing platforms to be linked in multiple configurations*, provide 2nd and 3rd air chambers for safety.

Our platforms are handmade to the highest standard. There's been no compromise on quality – we've obsessed over every minute detail to bring you a product that will exceed your expectations.



Leisure



Floating comfort

Relax at Water level

Unparalleled luxury at water level. A unique place to share and enjoy the finer things in life whilst relaxing in comfort on one of our platforms. Offering freedom from the confines of the yacht, a new space that's perfect for sunbathing, finding that moment of peace, or enjoying a blissful sunset.

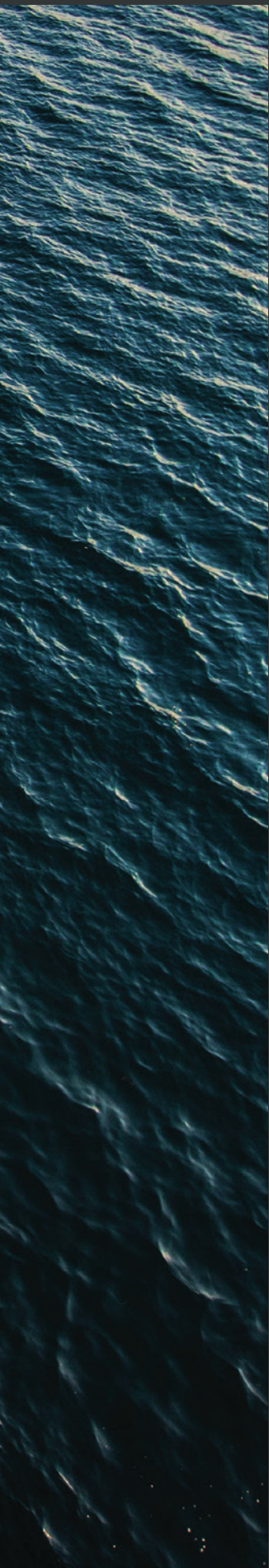


Your own private island

Perfect serenity

Add a new perspective to your yachting experience by taking the comforts of the yacht even closer to the shore. With the NautiBuoy Marine Platform streamed off the back of the yacht or anchored off the beach, you can choose exactly where you want to be and create perfect serenity.





“Relaxing at water level is not possible onboard, so it adds another dimension to our guests’ charter experience. They now have the ability to swim to their own small island with its own boarding ladder, float around in peace in the shallow water, and enjoy the sun whilst dangling their legs in the water in silence”.

T. Endersby, MY Heavenly Daze

Fun & safe watersports

Made even easier

A great place to have fun in the water with friends and family. You and your guests can enjoy a multitude of sports and activities, easily swapping from one to another. Not only does it provide you with a fantastic swim platform, but also an ideal area for sunbathing and relaxing.

Covered with a non-skid soft surface and made incredibly stable by a unique ballast system, the NautiBuoy Platform offers a safe spot for activities on the water.





Yoga & fitness

A different dimension

Discover an alternative place of freedom to enhance your fitness and meditation practice. With no disruptions, you can focus solely on your physical well-being and mental state of clarity. Enjoy the freshness of the breeze, the warmth of the sun and the calming movement of the ocean. Create a new space that's just for you.

Maintenance

Multi-functionality

Switch easily from guest to crew use

In the relentless pursuit for the perfect solution, we've designed our platforms to have the ability to transform from a guest ready leisure platform into a solid inflatable maintenance tool. Simply add the lightweight, non-skid fitted cover to protect the platform and your crew can easily clean, varnish, paint, polish and have the hull of the yacht looking immaculate before leaving port.

With the addition of collapsible Velcro bottom buckets and hose holders, your crew can work efficiently around the topsides without losing equipment over the side.



Platform with cover



Yard maintenance

Where's the marina raft?

You'll never have to play "where's the raft?" in a yard period again. There'll always be a solid multi-purpose inflatable raft to work from whenever you need it. Specifically designed with soft loops and edges, it can sit alongside your vessel for days without you having to worry about any damage.

The platforms can be connected end-to-end for those larger yard period topside projects. There's no limit to the length of platform you can create, and with the addition of triangles to create corners, you can work round any bow or stern. The platforms and triangles can be fully protected using the fitted maintenance covers.

A tender free solution

Practical seamanship

The NautiBuoy Marine Platform dramatically simplifies the cleaning and maintenance of superyachts.

The platform can be single-handedly inflated and launched anywhere in less than five minutes, providing instant access to the water line and allowing crew members to work smarter – not harder. Gone are the days of having to detail the tender after a full topside wash down. Our unique ballast bag system provides excellent stability in the water and enables easy removal from the water after use.

Suction cups with cleats are provided†.

A simple and convenient tool to attach the platform to the topsides of the boat, they make quick and easy work of manoeuvring your way around the vessel.



Platform shown with cover



Maintenance Series

Purely Maintenance

Platforms for the professionals

The robust Maintenance Series, called Marina platforms, have been designed for the sole purpose of maintaining the topsides and waterline of yachts.

Their durable yet easy to clean, diamond non-skid surface makes them the ideal tool for carrying out paint and varnish work as well as routine weekly wash downs of the hull.

The Marina platforms can still be linked end-to-end, allowing users to make giant working platforms during yard periods, which can sit alongside vessels for days at a time causing no damage to the vessel and paintwork.

- Tender Free Solution – eliminates the need to detail the tender, again
- No more searching – a platform on hand at all times
- No damage to the vessel and paintwork – can sit alongside for days
- Stable and easy to remove from the water
- Easy to clean
- Hose Holders and Collapsible Buckets with Velcro bottom to prevent loss overboard



Ocean & Voyager Series

Endless possibilities

Secure & simple connections

One of the key features of our platforms is the Air Toggle System, which as well as allowing them to be linked in multiple configurations*, can provide 2nd and 3rd air chambers for safety.



Configurations

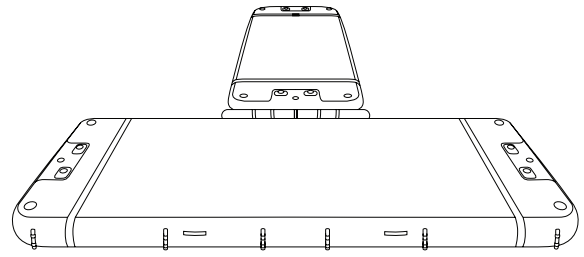
The freedom to choose

The revolutionary patent pending Air Toggle linking system is unique to NautiBuoy Marine. Quick and easy to inflate, you can change configurations with very little time and effort.

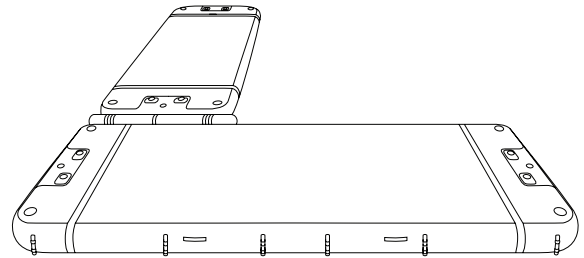
Cleverly designed, the system enables you to link all four platform sizes to one another to create anything from jet-ski docks to longer pontoons and shapes that allow access to any part of the yacht.

The Ocean and Voyager Series enable all linking configurations. The Marina Series end-to-end configurations only.

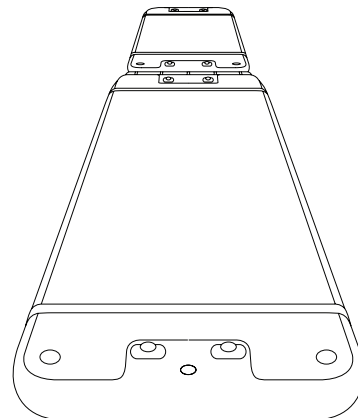
The Sport Series is a stand alone platform for those yachts only wanting one platform.



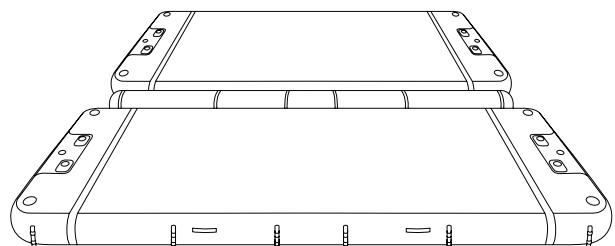
T-SHAPE: makes an ideal jet-ski dock



L-SHAPE: makes a great drop off point for guests in a tender



END-TO-END: allows for longer maintenance platforms, walkways and pontoons



SIDE-BY-SIDE: creates a wider space for your own private dock or dinner party

Jet-ski dock

Soft landings

By simply connecting any two platforms in a T-shape, you're able to configure your own jet-ski dock. This limits any damage to transoms and jet-skis, as well as providing a safer, easier transfer for yourself and your guests.



How they work

Versatile, simple and easy to use

All of our platforms have strategically positioned soft loop vertical handles. Simply undo the Velcro to release the Air Toggle loops for your desired configuration. The platforms can then be pulled together (fig. 1) and linked securely. By inserting the deflated Air Toggle through the loops and inflating, you are able to create an instant entrapment free connection (fig. 2). To add extra security when linking platforms connection straps are provided

When linking platforms side by side, longer toggles are required*.

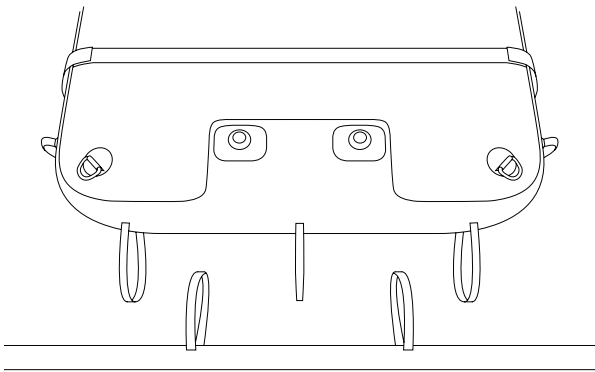


Fig. 1

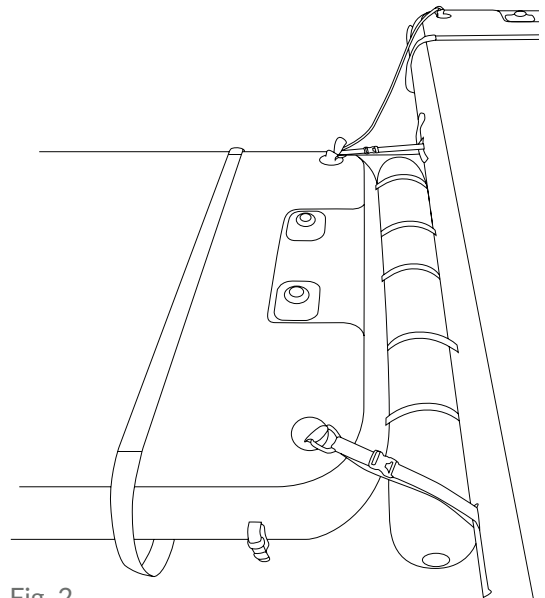


Fig. 2



Safety

For you and your yacht

Not only does the Air Toggle System add flexibility with connection, it also provides our platforms with a 2nd and 3rd chamber for safety, meeting strict compliance regulations.

Designed to stop the platforms rising and falling on top of each other in swell, they also prevent possible entrapment between connected platforms. The Air Toggle keeps the platforms level with each other during any movement.



Sports Series

The stand alone platform

Add valuable deck space

The Sports Series platforms are a fantastic solution to providing extra, valuable outside space to yachts of all sizes.

They have been simplified and stripped back to create a streamlined, more cost effective alternative. They have all of the key features provided on the Ocean and Voyager Series, except for the ability to connect to other platforms.

Ideal for streaming off the back of a vessel or simply anchoring off ones favourite beach. The Sport Series Platforms are essential for yachts looking for more relaxation area.

These can still be used with all of the accessories on offer including the leisure and maintenance packages.



Platforms

Platform types

Which Series suits you?

Across our range there is a platform to suit every vessel's needs and budget.



Ocean Series. Hypalon

- Endless linking capabilities
- Orca CR-CR drop stitch with CSM borders and ballast bags
- 4 different sizes
- Designed to withstand the harshest of climates
- Provided with our comprehensive Accessory pack

Voyager Series. PVC

- Endless linking capabilities
- Identical in design to the Ocean Series but made with PVC
- 4 different sizes
- German PVC, a trusted alternative to Hypalon
- Provided with our comprehensive Accessory pack



Sports Series. PVC

- Stand alone platform, no linking capabilities
- German PVC, a trusted alternative to Hypalon
- 2 different sizes, 525 & 800
- Works with all accessories and packages
- Provided with our Sports Accessory pack

Maintenance Series. PVC

- End to end linking capabilities
- Ideal for wash downs & hull maintenance
- 2 different sizes, 525 & 675
- Durable, easy to clean, diamond non-skid surface
- German PVC, a trusted alternative to Hypalon
- Provided with Hose Holders, Collapsible buckets and our comprehensive Accessory pack

Platform sizes

Which size suits you?

All our platforms are made from 200mm dropstitch, pack down to a conveniently stowable size and with 4 different sizes, there is a platform to fit every yacht.



375

- 2.5m x 1.5m, our smallest platform.
- Great space for 3 people sunbathing or 2 deckhands
- A perfect addition to a larger platform to create a jet-ski dock
- Super quick to inflate and deflate



525

- 3.5m x 1.5m, extra space for 4 people
- Space for 4 deckhands to work
- A perfect addition to create a larger landing dock for dinghies or tenders
- Super quick to inflate and deflate



675

- 4.5m x 1.5m, the longest platform in our range, sits perfectly along transoms of many sizes
- Can accommodate 6 sunbathers or 6 people working alongside each other
- Ideal for jet-ski/tender docks when joined to a 375 or 525
- Joined end to end makes a 9m runway
- Quick to inflate and deflate



800

- 4.0m x 2.0m, the largest platform for space
- Can accommodate 8 guests or 6 workers
- A luxurious floating island off the back of a yacht or anchored off a beach
- Perfect as a water sports base
- Quick to inflate and deflate
- Still only weighs 40kg

Specifications

OCEAN SERIES - SPECIFICATIONS TABLE

Made from Hypalon - Capable of all configurations - Includes Accessory Pack

Platform name	Max. no of users	Inflated dimensions (metric)	Approximate inflation/ deflation time to 250mb	Stowage dimensions (metric)	Weight (kgs)	Max load (kgs)
Arctic 375	4	2.5m x 1.5m x 20cm	1m 30 secs	155cm x 30cm x 30cm	22	410
Southern 525	5	3.5m x 1.5m x 20cm	1m 40 secs	165cm x 32cm x 32cm	32	480
Atlantic 675	7	4.5m x 1.5m x 20cm	2m 40 secs	165cm x 35cm x 35cm	36	600
Pacific 800	8	4m x 2m x 20cm	3m 30 secs	220cm x 35cm x 35cm	40	700

VOYAGER SERIES - SPECIFICATIONS TABLE

Made from PVC - Capable of all configurations - Includes Accessory Pack

Platform name	Max. no of users	Inflated dimensions (metric)	Approximate inflation/ deflation time to 250mb	Stowage dimensions (metric)	Weight (kgs)	Max load (kgs)
Coral 375	4	2.5m x 1.5m x 20cm	1m 30 secs	155cm x 30cm x 30cm	22	410
Bay 525	5	3.5m x 1.5m x 20cm	1m 40 secs	165cm x 32cm x 32cm	32	480
Med 675	7	4.5m x 1.5m x 20cm	2m 40 secs	165cm x 35cm x 35cm	36	600
Gulf 800	8	4m x 2m x 20cm	3m 30 secs	220cm x 35cm x 35cm	40	700

SPORTS SERIES - SPECIFICATIONS TABLE

Made from PVC - Stand alone Platform (no connections) - Includes Sports Accessory Pack

Platform name	Max. no of users	Inflated dimensions (metric)	Approximate inflation/ deflation time to 250mb	Stowage dimensions (metric)	Weight (kgs)	Max load (kgs)
Atoll 525	3	3.5m x 1.5m x 20cm	1m 40 secs	165cm x 32cm x 32cm	32	480
Island 800	4	4m x 2m x 20cm	3m 30 secs	220cm x 35cm x 35cm	40	700

MAINTENANCE SERIES - SPECIFICATIONS TABLE

Made from PVC - End-to-End configuration only - Includes Accessory Pack

Platform name	Max. no of users	Inflated dimensions (metric)	Approximate inflation/ deflation time to 250mb	Stowage dimensions (metric)	Weight (kgs)	Max load (kgs)
Marina 525	5	3.5m x 1.5m x 20cm	1m 40 secs	165cm x 32cm x 32cm	32	480
Marina 675	5	4.5m x 1.5m x 20cm	2m 40 secs	165cm x 35cm x 35cm	36	600

Accessory Pack includes - 2 x Suction cups with cleats, 2 x 8m (26ft), 14mm (0.5") eye spliced polyester docklines , 1 x Bravo OV10 Pump 3.6psi/250mb (230v or 120v), 1 x Bravo SUP stirrup pump, 2 x Air Toggles, 2 x Connection straps, 1 x Instruction manual, 1 x Repair kit with instructions , 1 x Stowable zipless protective bag with interior pockets.

Sport Accessory Pack includes - 1 x Bravo OV10 Pump 3.6psi/250mb (230v or 120v), 1x Air Toggle, 2 x Connection straps, 1 x Instruction manual, 1 x Repair kit with instructions, 1 x Stowable zipless protective bag.

All dimensions, weights and times indicated have a tolerance of plus or minus 5%.

Transom Bumpers

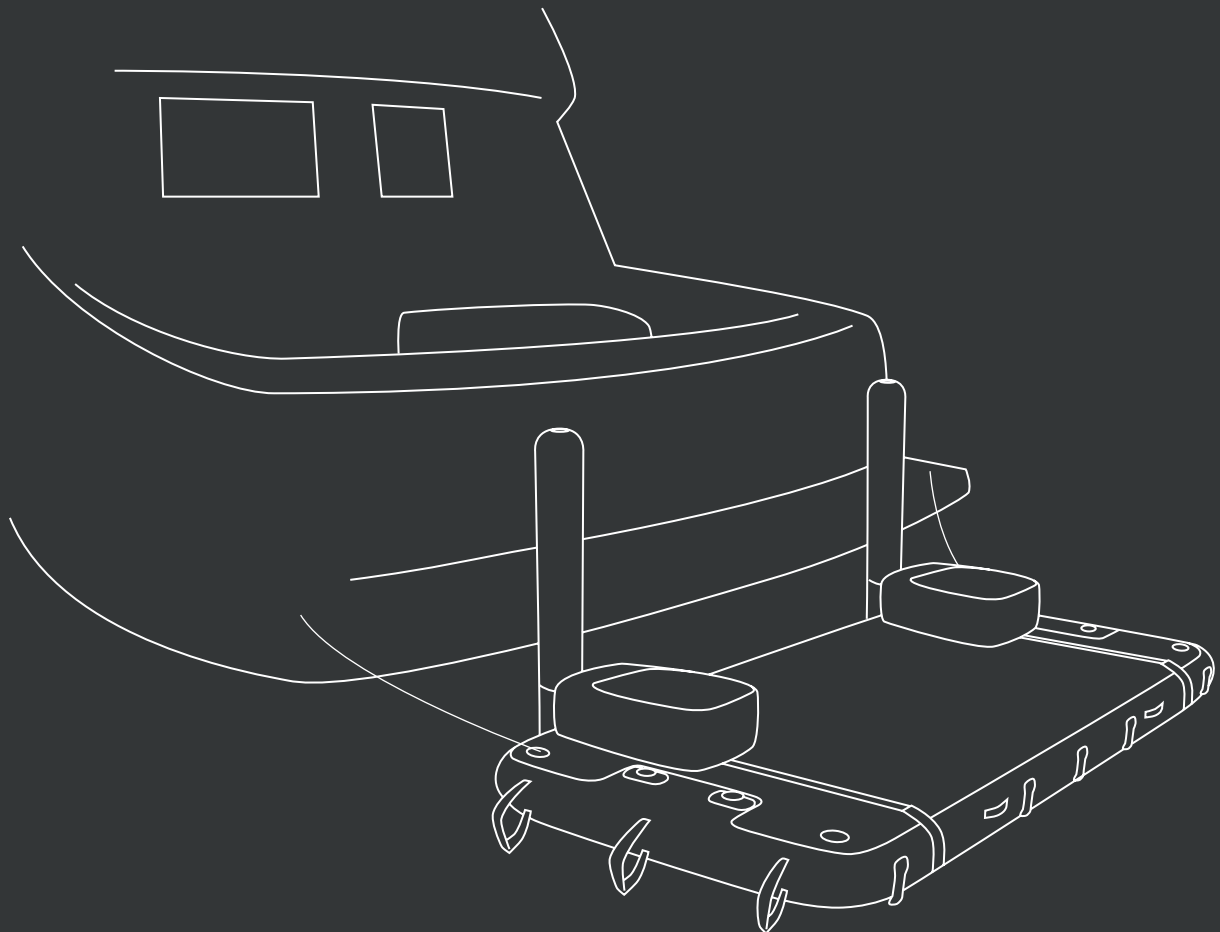
Platforms on the stern

Prevent them from drifting
under your transom

We recognise that transoms vary in height and design and that platforms have the potential to occasionally drift underneath the stern, particularly when being used as a jet-ski dock.

The inflatable transom bumpers can be effortlessly fastened to the surface of the platform adding another 35cm (1ft) in height. These are suitable for transoms of up to 0.5m (1ft 7").

For transoms higher than 0.5m (1ft 7"), the bumpers can accommodate an Air Toggle securely at the rear in a reinforced pocket, to cater for transoms of up to 1.3m (4ft 2") in height.





Umbrella not currently available

Leisure Accessories

Floating comfort

Accessorise for extra enjoyment

Relaxing so close to the water is one of life's most enjoyable pleasures. You can enhance your sunbathing and relaxation by adding that extra layer of comfort and luxury to your platform.

Leisure packages enable you to adapt the platform. There's also a 4-step ladder that makes getting out of the water a breeze.

Classic or luxury

What ever your preference

Take your pick from two superb leisure packs – the Classic or the Luxury Leisure Package.

Both packs comprise two portable comfort seats, two fastening belts and two luxury headrests. The difference is in the size of the seats.



Comfort seats

Relax

The comfort seat combines quality, beauty and comfort with innovative design. Whether you prefer to relax on the platform, the boat or the beach, the comfort seat makes an ideal spot to unwind.

Made from high quality Sunbrella® fabric specially designed for outdoor use, the comfort seats are hinged to provide both back and leg support. They have no hard exterior parts and come with the added benefit of stowing completely flat.

You don't have to worry about the seats going overboard. The fastening belt secures the seats to the platform in one easy step. They've been designed for easy removal so you can use the seats wherever you choose.



The Classic Comfort Seat features in the images throughout.



Classic Comfort Seat (left)

Size: 145cm x 48cm x 8cm / 4ft 9" x 1ft 7" x 3"

Luxury Comfort Seat (right)

Size: 195cm x 58cm x 10cm / 6ft 5" x 1ft 11" x 4"



Luxury headrests

Enjoy

Sunbathing is made even more pleasurable with the two luxury headrests.

Like bringing your bed pillow to the platform, the headrests provide a snug but firm support whilst you stretch out, relax and enjoy a cool calm moment.

A marine grade solution made from faux leather and a quick dry foam filling, they're designed to be easily attached to the platform. They're also the ideal accessory to wrap in a towel and take to the beach.



Securing your accessories

Velcro fastening

All the platforms come as standard, with two soft Velcro strips strategically located on the top surface. The comfort seats and headrests sit firmly on the strips and have been tested for their secure fastening in a University Wave Lab. There's no fear of losing them to the sea when the wind or swell picks up.

See the wave tank in action at nautibuoymarine.com.

Climb on board

Gracefully exit the water

The user-friendly 4-step ladder makes it safe and simple for you to get back on to the platform.

The ladder locks securely and easily into place using the Multipurpose Platform Mountings (MPM's) positioned at one end of the platform. Further support is provided by the Air Toggle loops that fit snugly under the adapted ladder arms, enabling the ladder to carry up to 100kgs (220lbs).

With the frame fabricated from marine grade stainless steel and with four smooth contour plastic steps, the ladder is a must have accessory for any keen swimmer.

Due to design changes and improvements, the ladder present in the picture may not exactly depict the product purchased by the consumer.





Due to design changes and improvements, the products present in the picture may not exactly depict the products purchased by the consumer.

Maintenance Accessories

Dual functionality

Convert to a maintenance raft

Keep the tender guest ready and use the platform as a fantastic tool for carrying out all topside maintenance instead. As well as being quick to inflate, it's amazingly simple to convert from a guest leisure platform to a fully equipped crew maintenance raft.

Maintenance pack

What's included?

Each pack comes with a protective non-skid maintenance cover, two Velcro bottomed 37 litre collapsible buckets and four hose holders. There are four different sized packs available depending on which size of platform you wish to convert.





Platform with cover

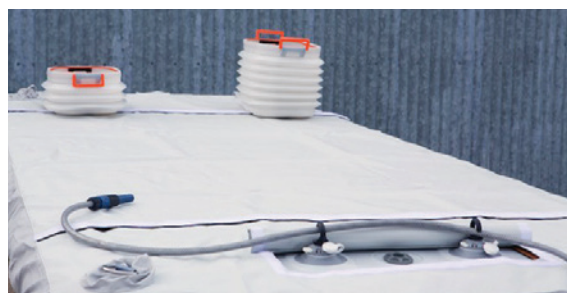
Fully protective fitted cover

Non-skid, durable, marine grade construction

Designed to fully protect the platform during all painting, varnishing and washdowns, the cover is user friendly, easy to clean and quick to stow.

The top surface is diamond non-skid for resilience and safety and has two Velcro strips stitched at either end for accessory attachment. The borders are made from high strength, abrasion, mildew and resistant fabric and are designed to fit snugly to the platform. It's been purposefully designed in a light reflective colour to prevent getting hot underfoot. Full access is still available to the valves, MPM's and end Air Toggle loops.

The design of the cover still allows for the connection of platforms end-to-end for those big yard maintenance projects. A connection cover is also available to provide protection to the Air Toggle.



Collapsible buckets with lids

Simplifies maintenance

Our unique expandable 37 litre buckets are not only fantastic for wash downs but also for the storage of paints, varnishes and work tools. A conveniently portable storage container that packs flat and would be of benefit in any bosun's locker. The Velcro strip on the bottom ensures secure fastening to the platform.

Conveniently sold in pairs so you have one bucket for your soapy water and a storage container for spares.



Hose holders

Put an end to hose loss

You can now work quickly and efficiently around the vessel without playing tug of war with the hose, keeping it exactly where you need for a trouble free wash down. Two hose holders easily attach to the platform MPM's and hold it in position, whilst you focus on the job in hand. Get those top sides finished in record time.



Platform with cover

Design

Designed for yachtsmen by yachtsmen

It's all in the details



British design

British designed by ex-superyacht crew with 25 years experience. We have European design protection and two patents pending.



Handmade in Europe

The platforms are meticulously hand crafted and made to our exacting specifications by leading industry professionals.



Durability

The Platforms are constructed from a dropstitch core, with borders made from either Orca CSM Hypalon or Mehler German PVC both have outstanding strength and durability.



Seatbelt webbing

For all handles, D-rings and anchor points, industrial 50mm seat belt webbing has been used. The lifesaving technology offers reliable strength and longevity.



Glued & stitched

Teak effect foam stitched and glued for extra reinforcement



Non-skid surface

Our UV resistant teak look surface is not only soft underfoot and comfortable on the skin, it also provides a non-skid floor for safety. European design protected.



Quick to inflate

Quick and easy to inflate and deflate to 3.6 psi / 250mb. Inflation/deflation times range from approximately 1min 30sec to 3mins 30 secs depending on platform size.



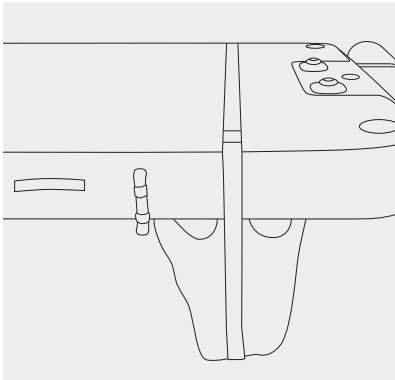
Easy to Stow

We understand the value of storage space on your yacht. Our platforms can be deflated and rolled into a conveniently stowable protective bag with large internal pockets.



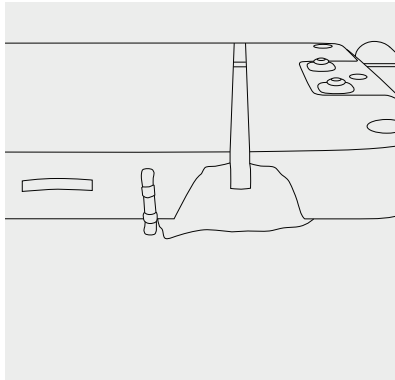
Rigid

Extremely rigid once inflated due to its dropstitch core



Ballast system

Wave laboratory tested and refined to give superior stability on the water.



Ballast dump system

The patent pending ballast dump system expels all the ballast water from each bag in one simple, easy movement.



Easy to remove from the water

After the ballast water has been expelled, platforms are lightweight to remove from the water.



Air Toggle loops

The Air Toggle loops have an easy tidy-away Velcro system for when not in use. Quick to release and rapid to secure, they keep the platform looking streamlined.



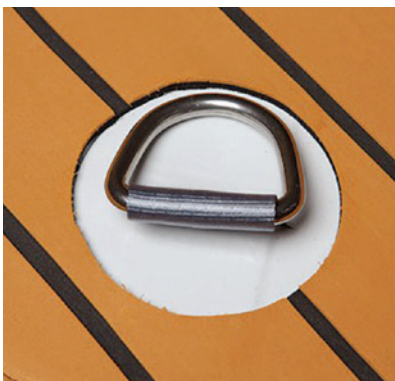
Soft loops

Only soft loops are used on the bottom and edges of the platform to prevent any damage to the topsides, paint and varnish work, as well as the teak deck.



Multipurpose Platform Mountings

The Multipurpose platform mountings (MPM's) offer the ability to lock and secure a multiple range of accessories including boarding ladders and hose holders.



Stainless steel D-rings

Heavy duty 316 Stainless D-rings designed with extra large bonded pads, ideal for tying the platform to the vessel or attaching jet-skis and watersports toys to the platform.



Connection straps

Made from high strength UV resistant webbing with long-lasting corrosion free buckles, these add extra security when linking platforms using the Air Toggle System.



Lifting handles/connection points

Each platform* has 4 lifting handles strategically positioned for dual use. As well as providing lifting points, they double up for use with the connection straps.



Anchor point

Reinforced double layered 50mm seatbelt webbing, bonded and stitched onto an extra large hypalon pad for safety and security. Designed for mooring, anchoring and towing.



Valve

Bravo C7 Halkey Roberts inflation valve with internal protective mesh and an easy push release button. The fitting allows for the OV10 pump to be secured into the valve for hands free inflation and deflation.



Pressure release valve

All our platforms and Air Toggles are fitted with Leaffield Marine A6 5.5psi/ 379mb pressure release valves. These ensure the release of excess pressure due to the expansion of air in hot temperatures.



Bravo manual stirrup pump with pressure gauge[‡]

The stirrup pump is provided both for inflation of the Air Toggle whilst the users are on the water and also to top up the pressure of the platforms beyond 3.6 psi/250mb if even more rigidity is required. The pressure gauge allows the monitoring of pressure.



Bravo OV10 pump

A compact fast inflating/deflating electric pump with Halkey Roberts connection nozzle. Options are available for 230v and 120v. Maximum inflation 3.6psi/250mb.



Secure accessories

To prevent loss of accessories overboard, 50mm strips of Velcro have been stitched to both the top of the platform and the maintenance cover.



Suction cups with cleats[‡]

A simple and convenient tool to attach the platform to the topsides, making quick, easy work of manouevering around the vessel.



Docklines[‡]

Black 8m (26ft), 14mm (0.5") eye spliced polyester docklines are provided for securing platforms to any vessel.



Extra reinforcement

We've added a double layer of material to protect against wear and tear from the ladder



Conveniently stowable

All our platforms roll up and fit comfortably into our zipless protective bags, which can be stowed under rib collars, in lazarettes or most work lockers.



Stability

What makes it so stable

Our unique patent pending ballast system provides incredible stability to the platforms when they're on the water. Filling up quickly the four ballast bags, positioned in each corner, provide you with a stable surface almost instantly. It couldn't be easier to remove the platforms after use. The manual dump system has been carefully designed to expel the water rapidly and for you to effortlessly remove them from the sea.



Materials

The Ocean Series

Made from Orca® 200mm CR/CR dropstitch with Orca® Hypalon CSM borders and ballast bags, these platforms are built to last. Orca® fabric has been chosen for its superior durability and technical properties.

Voyager, Sport and Marina Series

Made from 200mm PVC dropstitch with Mehler German PVC borders and ballast bags. Mehler known for their superior quality PVC, offers a trusted alternative to Hypalon.

The dropstitch can be inflated to high pressures whilst maintaining its shape due to the thousands of polyester threads between two layers of fabric. Once inflated to 5.5 psi, it creates an incredibly solid base and with the addition of four ballast bags provides you with a strong, stable, floating platform.



Ultraviolet Light resistance



Fuel and chemical resistant



Weather resistant



Mechanical and abrasion resistant



High & low temperature resistant

Compliance

15649 - 1-2-3 : 2012 Compliant

For your safety the platforms have been rigorously tested to meet strict European regulations (EN) for floating leisure articles for use on the water.

The product has been put through its paces in test houses, wave pools, and on charter and private yachts as prototypes. Through this process design features have been changed and refined, ensuring that you have safe platforms that meet European guidelines.



Platform series

OCEAN SERIES - SPECIFICATIONS TABLE

Made from Hypalon - Capable of all configurations - Includes Accessory Pack

Platform name	Max. no of users	Inflated dimensions (metric)	Approximate inflation/ deflation time to 250mb	Stowage dimensions (metric)	Weight (kgs)	Max load (kgs)
Arctic 375	4	2.5m x 1.5m x 20cm	1m 30 secs	155cm x 30cm x 30cm	22	410
Southern 525	5	3.5m x 1.5m x 20cm	1m 40 secs	165cm x 32cm x 32cm	32	480
Atlantic 675	7	4.5m x 1.5m x 20cm	2m 40 secs	165cm x 35cm x 35cm	36	600
Pacific 800	8	4m x 2m x 20cm	3m 30 secs	220cm x 35cm x 35cm	40	700

VOYAGER SERIES - SPECIFICATIONS TABLE

Made from PVC - Capable of all configurations - Includes Accessory Pack

Platform name	Max. no of users	Inflated dimensions (metric)	Approximate inflation/ deflation time to 250mb	Stowage dimensions (metric)	Weight (kgs)	Max load (kgs)
Coral 375	4	2.5m x 1.5m x 20cm	1m 30 secs	155cm x 30cm x 30cm	22	410
Bay 525	5	3.5m x 1.5m x 20cm	1m 40 secs	165cm x 32cm x 32cm	32	480
Med 675	7	4.5m x 1.5m x 20cm	2m 40 secs	165cm x 35cm x 35cm	36	600
Gulf 800	8	4m x 2m x 20cm	3m 30 secs	220cm x 35cm x 35cm	40	700

SPORTS SERIES - SPECIFICATIONS TABLE

Made from PVC - Stand alone Platform (no connections) - Includes Sports Accessory Pack

Platform name	Max. no of users	Inflated dimensions (metric)	Approximate inflation/ deflation time to 250mb	Stowage dimensions (metric)	Weight (kgs)	Max load (kgs)
Atoll 525	3	3.5m x 1.5m x 20cm	1m 40 secs	165cm x 32cm x 32cm	32	480
Island 800	4	4m x 2m x 20cm	3m 30 secs	220cm x 35cm x 35cm	40	700

MAINTENANCE SERIES - SPECIFICATIONS TABLE

Made from PVC - End-to-End configuration only - Includes Accessory Pack

Platform name	Max. no of users	Inflated dimensions (metric)	Approximate inflation/ deflation time to 250mb	Stowage dimensions (metric)	Weight (kgs)	Max load (kgs)
Marina 525	5	3.5m x 1.5m x 20cm	1m 40 secs	165cm x 32cm x 32cm	32	480
Marina 675	5	4.5m x 1.5m x 20cm	2m 40 secs	165cm x 35cm x 35cm	36	600

Accessory Pack includes -

2 x Suction cups with cleats, 2 x 8m (26ft), 14mm (0.5") eye spliced polyester docklines, 1 x Bravo OV10 Pump 3.6psi/250mb (230v or 120v), 1 x Bravo SUP stirrup pump, 2 x Air Toggles, 2 x Connection straps, 1 x Instruction manual, 1 x Repair kit with instructions, 1 x Stowable zipless protective bag with interior pockets.

Sport Accessory Pack includes -

1 x Bravo OV10 Pump 3.6psi/250mb (230v or 120v), 1x Air Toggle 2 x Connection straps, 1 x Instruction manual, 1 x Repair kit with instructions, 1 x Stowable zipless protective bag.



All dimensions, weights and times indicated have a tolerance of plus or minus 5%.



The Foundation of NautiBuoy

Both founders and directors of NautiBuoy have backgrounds in the Superyacht industry.

Nina Anderson started work as stewardess on large Motor yachts in the Mediterranean as well as in Mexico and the US. She was quickly promoted and soon became Chief Stewardess. In this role she naturally picked up a keen eye for guest welfare as well as perfect attention to detail. With her unique style, she has created the ultimate range of platform leisure accessories.

Clay Builder was brought up sailing in Mallorca on his fathers yacht and windsurfing school. At 18, he completed a years mariner graduate programme. After 5 years as a yacht trainer and running flotillas in Europe, he began an 11 year career on several large sail and motor yachts as Bosun, Mate and eventually Officer.

After 100s of wash downs using guest ready tenders and even more hours repairing jet ski's and damage caused to transoms, as well as frustrating days spent looking for marina rafts, Clay realised the need for a multi-functional inflatable platform that yachts could always have access to and easily stow on board.

They both also saw the need for a stable leisure platform where guests could relax, close to the water on a floating island of comfort, or dock their jet-skis safely whilst enjoying the water sports on the yacht.

Their aim was to produce a premium quality platform of superior durability and multi-functionality. Whilst working together on a Med based motor yacht, NautiBuoy was born.

* Ocean and Voyager series only
† Excludes Sports series
‡ Not included with Sports series

Designed by Jenerator Ltd & Studio in the Sticks.
Location photography by Boris Austin.
Studio photography by Rifle Design.

Designed and printed in the UK. NautiBuoy Marine™ is a registered trademark of NautiBuoy Marine Ltd. The Platform is a registered European Design. Patent Pending. Terms of business are available upon request. The details herein are believed to be correct but buyers should make further enquiries regarding their accuracy before relying on the information herein to form part of a contract.

© Copyright NautiBuoy Marine Ltd, 2015. Registered in England no: 8384675.



NAUTIBUOY
MARINE™

www.nautibuoymarine.com

t: +44 (0) 1803 863233 m: +44 (0) 7887 362224

e: info@nautibuoymarine.com