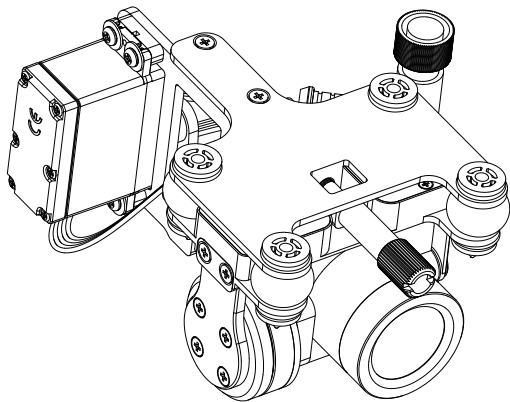


SPLASH DRONE 3 / 3+

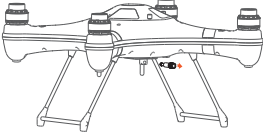
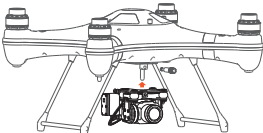
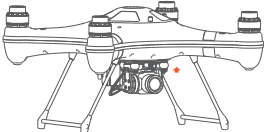
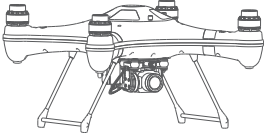
PL3 User Manual v2.0



Contents

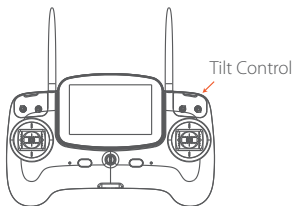
Installation	03
Operation	04
Gimbal Control	04
Camera Control	04
Air-Drop Control	04
Camera	04
Installing a microSD Card	05
Camera settings and use	06
Camera Settings	07
Video Settings	07
System Settings	07
Camera Indicator	08
Maintenance	10

1. Installation

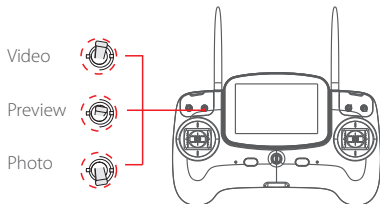
Graphical Representation	Description
 A line drawing of a drone from a top-down perspective. A small screw is shown being loosened from the underside of the drone's central body. A red dot indicates the location of the screw.	<p>1. Loosen the screw on the underside of the drone.</p>
 A line drawing of a drone from a top-down perspective. A gimbal assembly is being mounted onto the bottom plate of the drone. A red dot indicates the location of the mounting point.	<p>2. Mount the Gimbal onto the bottom plate, and secure it with the fixing screw.</p>
 A line drawing of a drone from a top-down perspective. A plug is being inserted into the corresponding socket on the underside of the drone. A red dot indicates the location of the socket.	<p>3. With the drone powered down, insert the plug from the gimbal into the corresponding socket on the underside of the drone, and tighten the waterproof cap on the plug. Be sure to align the plug correctly before inserting it, excessive force can damage the plug and connector socket.</p>
 A line drawing of a drone from a top-down perspective. The gimbal is fully installed and secured to the bottom plate of the drone.	<p>4. Finished.</p>

2. Operation

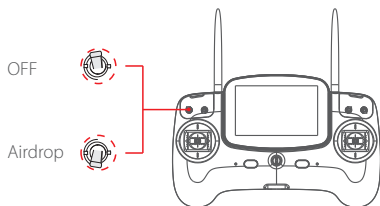
Gimbal Control



Camera Control

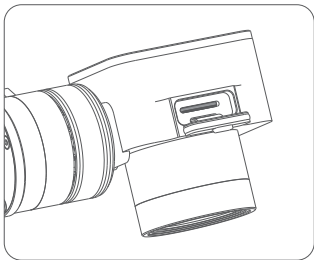


Airdrop Control





3. Camera


3.1 Installing a microSD Card



1. Open the soft rubber sealing plug at the top of the camera.
2. With the microSD label facing the back of the camera, gently insert the card into the card slot.
3. Using the supplied tweezers, press the card down until you hear a faint click and the card remains fully inserted.
4. Refasten the rubber plug firmly to ensure a good seal.

 The SwellPro PL-3 camera supports microSD cards with a maximum capacity of 64GB. When selecting a microSD card for use with your camera, for best results always ensure that the card is rated for 4K video throughput Class 10 or UHS-1 or better.

 Do not insert or pull out the microSD card with the camera turned on as this may damage data on the card.

 If recording video, to save the file correctly, ensure that the camera is switched back to Preview on the remote controller BEFORE turning the camera off or removing the battery from the drone.

3.3 Camera settings and use

1. APP installation:

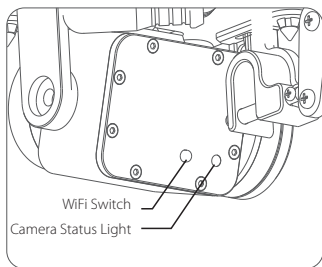
IOS systems- for Apple devices, please find the SwellCam APP in the apple store, and install the APP.

Android systems can download the APK installation on the www.swellpro.com site

2. Camera WIFI connection: Please Note, the WiFi is used for preflight setup purposes only, and must be disabled prior to take off.

a.) Power on the drone, the camera will power on automatically. Switch on the camera WIFI, the red indicator will light up indicating the camera is on and is in wifi mode.

b.) Open the WIFI on your phone. Search for the SwellCam hotspot and connect. The initial password is 12345678



Wifi switch: Short press ON, press OFF again.

3. Using the APP:

Open the camera APP into the camera preview screen.

On the APP, you can set the parameters of the camera and video, you can also control the camera for the taking of pictures or videos, and other related functions.



Camera Settings

Picture Format JPEG

Picture Size 14M 10M 5M

Time Stamp OFF ON

Burst Speed OFF 3pics/second

Timer OFF 5 seconds or 10 seconds

Self-timer 3 seconds/pic 5 seconds/pic 10 seconds/pic 30 seconds/pic

Recording Settings

Resolution APP control: 1920*1080(P30 /P60) 1280*720(P30/P60)

Remote Control: 2880*2160 24p 2560*1440 30p

1920*1080(30/60p) 1280*720(30/60p)

Video Format MP4

Time Stamp OFF ON



Note: APP and remote control camera recording video resolution is different, please select the best resolution according to your specific needs.

System Settings

Language English, Chinese

Picture Flip 180°Flip, OFF

Time Setting

WIFI Password

ISO AUTO 100 200 400 800 1600

EV -2 -1.5 -1.0 -0.5 0 +0.5 +1.0 +1.5 +2.0

White Balance AUTO, cloudy, sunny, Incandescent lamp, Fluorescent lamp

OSD ON, OFF

Recording ON, OFF

Video Format PAL, NTSC

Metering Global metering, Center-weighted, spot

Frequency 50Hz, 60Hz

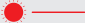
Format Sure, Cancel

Default Setting Sure, Cancel

Camera Indicator

 Green ON Power on into preview mode

 Green Slow Blink Saving picture or video

 Red ON WIFI ON

Red OFF Wifi Off

4. Maintenance

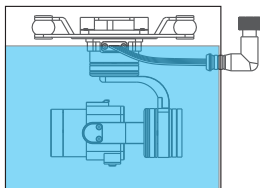
Like any marine equipment, long-life and trouble-free operation relies on due care and maintenance.

After flying in salt or contaminated water, always thoroughly soak and rinse the gimbal in fresh water immediately after use or before the water can dry inside the gimbal mechanism.

Soaking and rinsing the gimbal

If salt or other sediments are allowed to dry inside the gimbal, thoroughly soak and clean all traces from the camera and gimbal before further use.

1. Remove the camera from the drone
2. Locate a container just large enough to hold the gimbal camera in an upright position.
3. Place the gimbal into the container.
4. Fill the container with clean, fresh water, being careful to keep the electrical connector dry. Ensure the gimbal motors are completely immersed.
5. Allow the gimbal to soak for 30 minutes.
6. Rinse the gimbal once again and dry before storage.



Lubricating the microSD card sealing plug

To ensure a waterproof seal, the microSD sealing plug needs to be clean and free of sand or other particles. A small amount of silicone lubricant can be applied to the microSD sealing plug.

Defogging of the camera lens

When cameras are subjected to changing temperature and humidity levels, it is normal for some fogging of the camera lens to occur.

To minimise the risk of fogging of the camera lens:

1. Only open the microSD hatch in dry, warm conditions.
2. Store the gimbal in dry conditions with the microSD hatch open.
3. Should the camera fog during use, open the hatch in dry conditions and allow air to circulate inside the camera housing. Condensation will usually dry within a few minutes.

Hydrophobic lens coating

The lens of your SwellPro camera has been treated with a hydrophobic coating to help disperse water quickly after landing on water or when flying in the rain.

Over time this coating can be removed by exposure to sunlight and the cleaning of the lens. The outer lens of the camera is glass and can be retreated as required with commercially available treatments such as 'Rain-X'TM.

